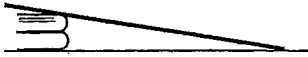
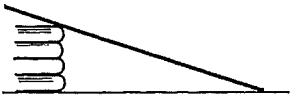


Name: _____

Ride, Newton, Ride!
Part A: Low and High Ramps

<p>On which ramp did Newton go the fastest and farthest?</p>	 <p>Low ramp</p>	 <p>High ramp</p>
--	---	--

1. Draw an **X** on the ramp below to show where Newton and his car go the **fastest**.

