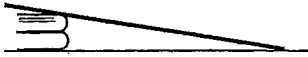
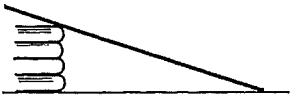
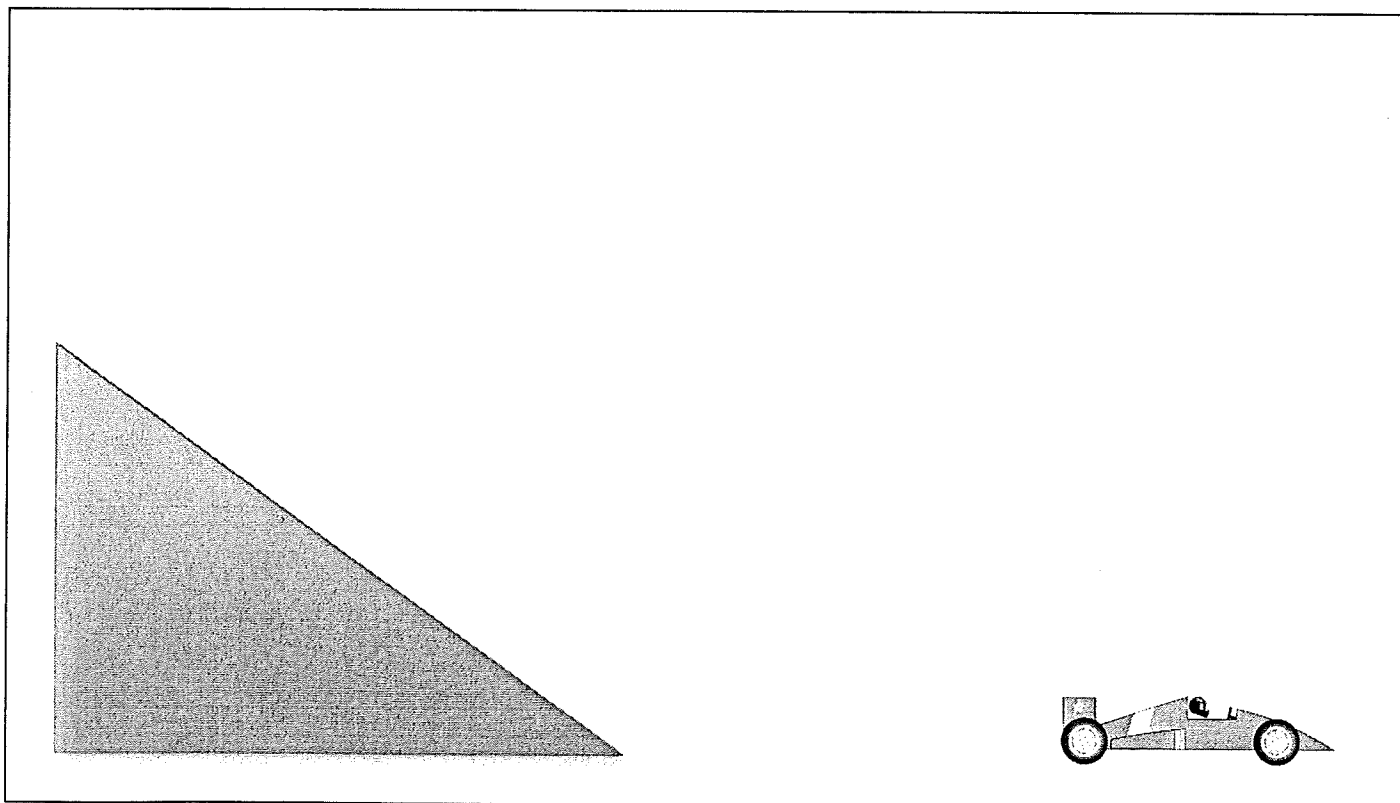


Name: _____

Ride, Newton, Ride!
Part A: Low and High Ramps

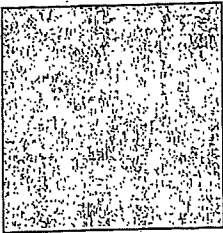
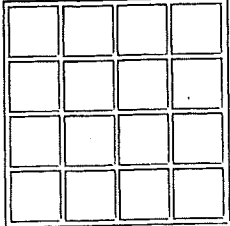
<p>On which ramp did Newton go the fastest and farthest?</p>	 <p>Low ramp</p>	 <p>High ramp</p>
--	---	--

1. Draw an **X** on the ramp below to show where Newton and his car go the **fastest**.

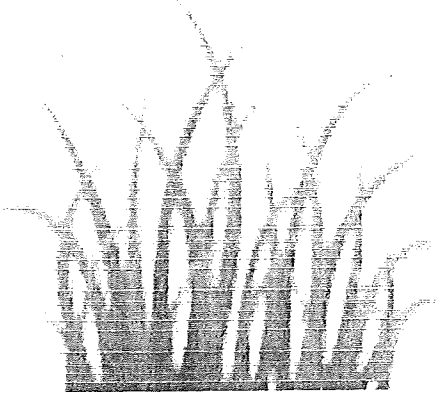
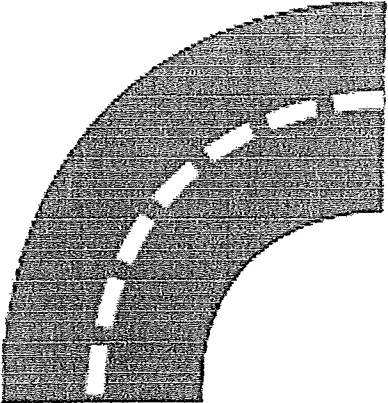


Name: _____

Ride, Newton, Ride!
Part C: Changing the Surface

On which surface did Newton go the fastest and farthest?	 <p>Fabric</p>	 <p>Smooth floor</p>
--	---	--

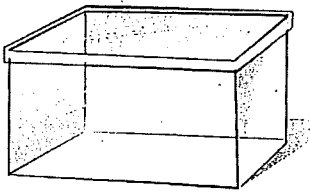
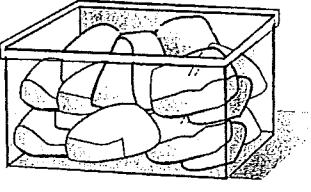
1. Newton is going to take a lap on the race track below.
2. Draw an X on the surface that Newton will go the fastest.
3. Put a circle around the surface that will slow Newton down.

 <p>Grass</p>	 <p>Tar</p>
--	---

Name: _____

Ride, Newton, Ride!

Part B: Light Weight verses Heavy Weight

<p>Which container moved the farthest when Newton's car hit it?</p>	 <p data-bbox="649 617 893 659">Light container</p>	 <p data-bbox="990 617 1234 659">Heavy container</p>
---	--	--

1. Draw a heavy object in the trunk of one of Newton's Cars.
2. Draw a light object in the trunk of the other car.
3. Have a friend circle the car that will go the farthest and explain why they made their choice.

